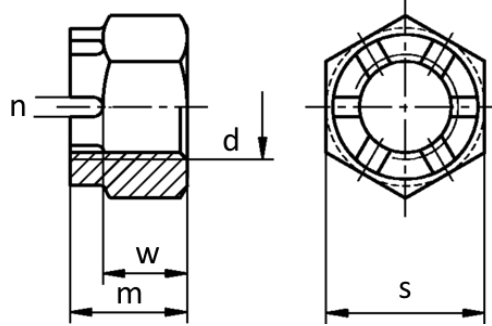


DIN 935

Benzeri - Similar - Ähnlich
ISO 7035

- Altıköşe Taçlı Somun
- Hexagon Slotted and Castle Nuts
- Kronenmuttern



| d | M 12 | M 14 | M 16 | M 18 | M 20 | M 22 | M 24 | M 27 | M 30 |
|--------------|---------------------|------------|------------|-----------------|-----------------|-----------------|----------|----------|------------|
| P (pitch) | 1,75 (1,25)(1,5) | 2 (1,5) | 2 (1,5) | 2,5 (1,5)(2) | 2,5 (1,5)(2) | 2,5 (1,5)(2) | 3 (2) | 3 (2) | 3,5 (2) |
| n (min) | 3,5 | 3,5 | 4,5 | 4,5 | 4,5 | 5,5 | 5,5 | 5,5 | 7 |
| w (max) | 10 | 11 | 13 | 15 | 16 | 18 | 19 | 22 | 24 |
| m | 15 | 16 | 19 | 21 | 22 | 26 | 27 | 30 | 33 |
| S | 18 | 21 | 24 | 27 | 30 | 32 | 36 | 41 | 46 |

| d | M 33 | M 36 | M 39 | M 42 | M 45 | M 48 | M 52 | M 56 |
|--------------|------------|----------|----------|------------|------------|----------|----------|------------|
| P (pitch) | 3,5 (2) | 4 (3) | 4 (3) | 4,5 (3) | 4,5 (3) | 5 (3) | 5 (3) | 5,5 (4) |
| n (min) | 7 | 7 | 7 | 9 | 9 | 9 | 9 | 9 |
| w (max) | 26 | 29 | 31 | 34 | 36 | 38 | 42 | 45 |
| m | 35 | 38 | 40 | 46 | 48 | 50 | 54 | 57 |
| s | 50 | 55 | 60 | 65 | 70 | 75 | 80 | 85 |

| d | M 60 | M 64 | M 68 | M 72 | M 76 | M 80 | M 85 | M 90 | M 100 |
|------------|------------|----------|----------|--------|--------|--------|--------|--------|--------|
| P (pitch) | 5,5 (4) | 6 (4) | 6 (4) | (4)(6) | (4)(6) | (4)(6) | (4)(6) | (4)(6) | (4)(6) |
| n (min) | 11 | 11 | 11 | 11 | 11 | 11 | 14 | 14 | 14 |
| w (max) | 48 | 51 | 54 | 58 | 61 | 64 | 68 | 72 | 80 |
| m | 63 | 66 | 69 | 73 | 76 | 79 | 88 | 92 | 100 |
| s | 90 | 95 | 100 | 105 | 110 | 115 | 120 | 130 | 145 |

