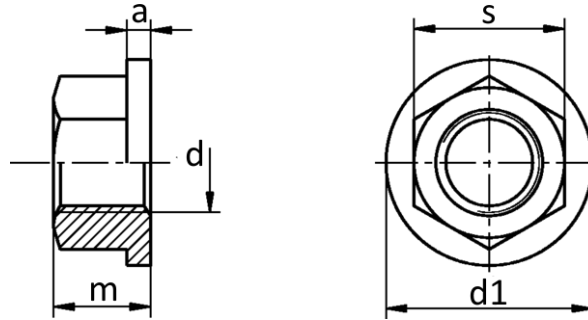


DIN 6331

- Takviyeli Flanşlı Somun
- Hexagon Nuts 1,5 d with Collar
- Sechskantmuttern 1,5 d mit Bund



| d | M 6 | M 8 | M 10 | M 12 | M 16 | M 20 | M 24 | M 27 | M 30 | M 36 | M 42 | M 48 |
|----|-----|-----|------|------|------|------|------|------|------|------|------|------|
| d1 | 14 | 18 | 22 | 25 | 31 | 37 | 45 | 50 | 58 | 68 | 80 | 92 |
| m | 9 | 12 | 15 | 18 | 24 | 30 | 36 | 40 | 45 | 54 | 63 | 72 |
| a | 3 | 3,5 | 4 | 4 | 5 | 6 | 6 | 7 | 8 | 10 | 12 | 14 |
| s | 10 | 13 | 16 | 18 | 24 | 30 | 36 | 41 | 46 | 55 | 65 | 75 |